

FOR REFERENCE ONLY

# SHAPE MEMORY ALLOY VALVE

## SPECIFICATIONS for MODEL SMV-2X-5MFX-3

ORIFICE DIAMETER : 0.8mm  
 PORT CONNECTION : A ~ F 1/4-28UNF  
 OPERATING PRESSURE RANGE : A ~ E 0 ~ 100kPa (0 ~ 1bar)  
 F 0 ~ 50kPa (0 ~ 0.5bar)

FLUID MEDIA : FLUIDS CHEMICALLY COMPATIBLE WITH MATERIALS BELOW

MEDIA TEMPERATURE RANGE : 5 ~ 40°C

AMBIENT TEMPERATURE RANGE : 5 ~ 40°C

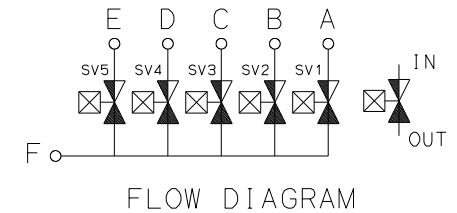
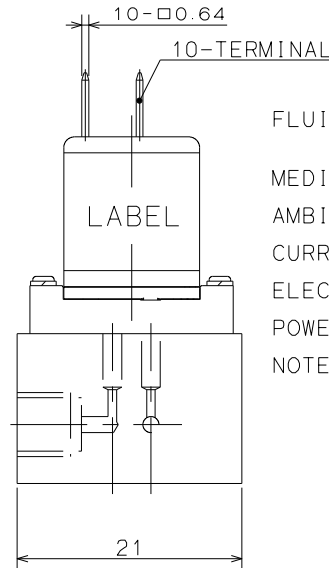
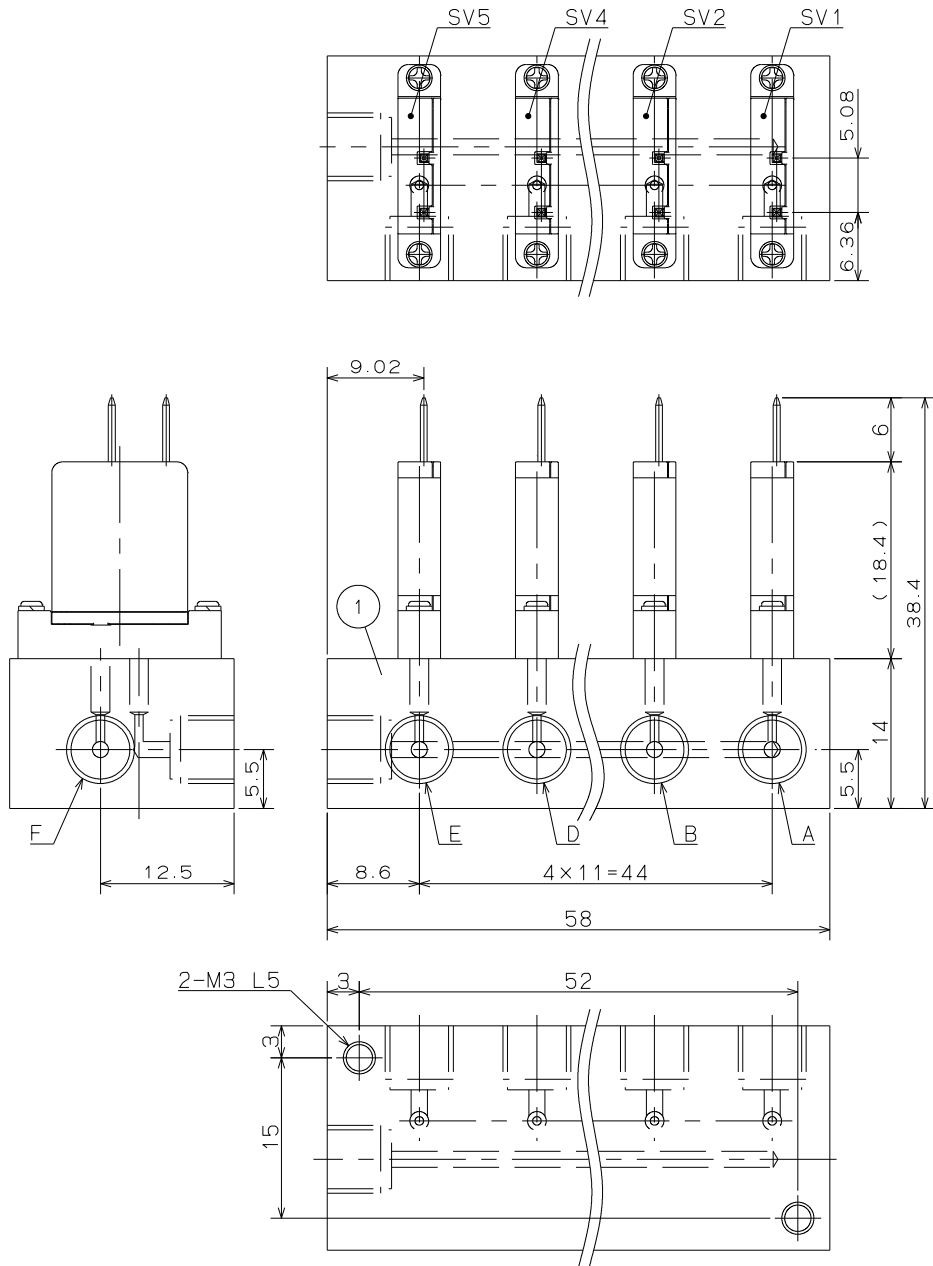
CURRENT : 250mA×5

ELECTRIC RESISTANCE : 3Ω±10%(AT 20°C)

POWER CONSUMPTION : Max.0.25W×5

NOTE :

MODEL NUMBER	BODY, MANIFOLD	DIAPHRAGM, O RING
SMV-2R-5MFF-3	PPS	FKM
SMV-2K-5MFG-3	PEEK	FFKM



### WETTED MATERIALS

△			4	DIAPHRAGM	FKM/FFKM	5	SMV-2R-BMFF SMV-2K-BMFG
△			3	BODY	PPS/PEEK	5	SMV-2R-BMFF SMV-2K-BMFG
△			2	O RING	FKM/FFKM	10	SMV-2R-BMFF SMV-2K-BMFG
SYM.	DATE	DESCRIPTION	1	MANIFOLD	PPS/PEEK	1	
REVISION			PART NO.	PART NAME	MATERIAL	REQD.	NOTE
SCALE	APPROVED	CHECKED	SHAPE MEMORY ALLOY VALVE		DRAWING NO		
2/1		K. Asai	SMV-2X-5MFX-3		22136-00-E		
A 3		K. Abe					