

## Maintenance

- When the pump is idle, we recommend you to release the tubing from pressure. This helps to protect the tubing from unnecessary strain and prolongs its service life.
- Keep rollers clean and dry. This will prolong the service lives of tubing and pump head.
- KZ25 don't have chemical resistance to organic solution and strong corrosive liquid, operator must be noticed this.

💡 Please send email to us or dial 0086-312-3110087.

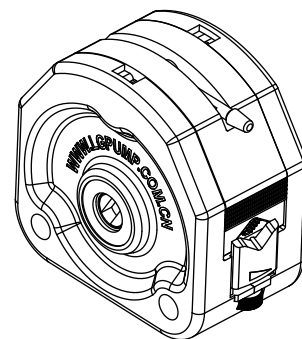
# LONGER

## Baoding Longer Precision Pump Co., Ltd.

Add: 3rd/4th Floor, Building 6B, University Science Park  
Baoding National, High - Tech Industrial Development Zone  
Baoding, Hebei, China 071051  
Tel: 86 - 312 - 3110087 3138553  
Fax: 86 - 312 - 3168553  
E - mail: longer@longerpump.com  
Http://www.longerpump.com

## KZ25

### Peristaltic Pump Head Operating Manual



Baoding Longer Precision Pump Co., Ltd.

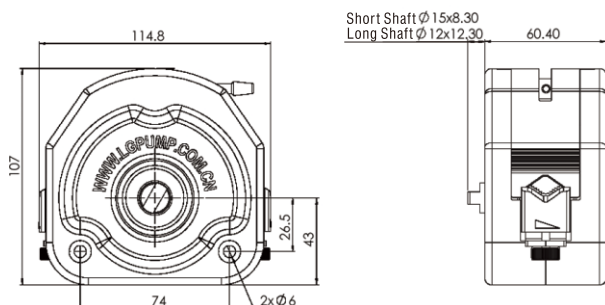
# KZ25 Peristaltic Pump Heads

1

## Introduction

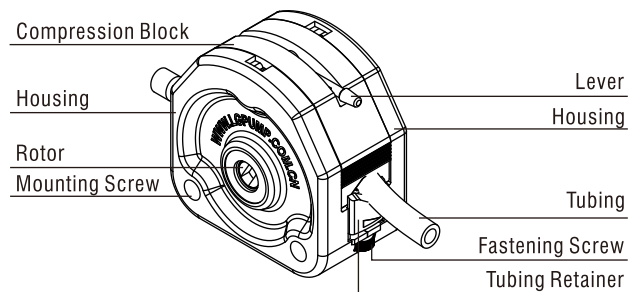
Rollers adopt stainless steel; housing adopts polycarbonate which is moderate flexible and crystal clear. Compression block adopts PPS material which has good self-lubrication to reduce the friction of tubing. All parts consist of stable structure which has good rigidity and chemical stability to provide excellent technical performance.

## Outline Dimension



2

## Structure



## Characters

- Cartridges and base can be separated.
- It is convenient to load the tubing.
- Pump heads can be stackable.
- Compact size and a wide flow range.
- Ideal for OEM

## ⚠ Warning

- Tubing breakage may result in fluid being sprayed from pump. Use appropriate measures to protect operator and equipment. Please check the tubing frequently and change the tubing in time.
- Please shut down the pump and pull out the power cord when open pump head to change tubing or load tubing.

## Warranty

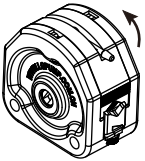
The warranty period for KZ25 is one year, if repair or adjustment is necessary within the warranty period, the problem will be corrected at no charge if it is not due to misuse or abuse on your part, as determined by the manufacturer. Repair costs outside the warranty period, or those resulting from product misuse or abuse, may be invoiced to you.

## Main Specifications

Type	Part Number	Tubing	Flow Rate (ml/min) 60~600 (rpm)	Speed
KZ25	05011520001 (Long Shaft)	15"	200~1800	≤600rpm
		24"	350~3500	
	05011520002 (Short Shaft)	35"	500~5000	
		36"	700~6000	

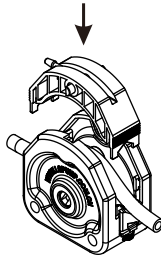
## ❖ Tubing load procedure

Step 1:



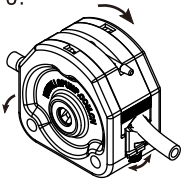
Rotate lever to loosen the compression block, and then lift it.

Step 2:



Load tubing on the rollers and the two V-shaped slots of tubing retainers. Put down the compression block.

Step 3:



Press the compression block and rotate lever to lock the compression block. Adjust the screws to fix the tubing.



Note: KZ25 pump head don't have chemical resistance to organic solution!

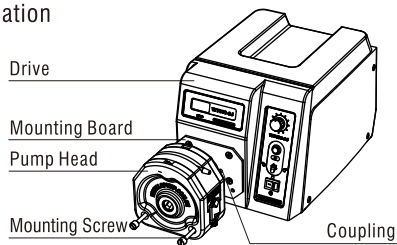
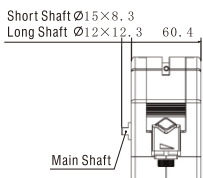
Fastening screw is for adjusting the gap between compression block and tubing container to hold the tubing, it don't have the function to adjust flow rate.

## ❖ Check the gap between compression block and tubing retainer:

Put one end of tubing into water, pump air into tubing from another end. The tubing end in the water should not see bubbles come out from tubing. If there are bubbles come out from tubing end that means the wall thickness is too small for KZ25 pump head.

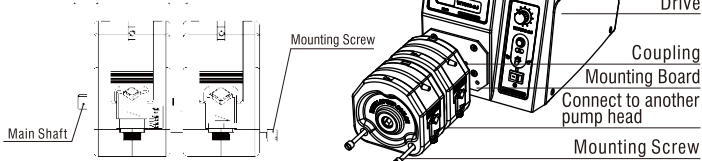
## Pump Head Installation

### ❖ Single Pump Head Installation



### ❖ Pump Head Installation

Long Shaft  $\varnothing 12 \times 12.3$  Short Shaft  $\varnothing 15 \times 8.3$   
Connect to drive Connect to another pump head



Pump head have been installed on the drive. If need change other pump head in actual operation, operator can refer to below method:

- Step 1:  
Loosen mounting screws and pull pump head forward to take off it.
- Step 2:  
Align the main shaft of pump head to the front of drive, insert the location pins on drive into location holes of drive, and then insert shaft of pump head into coupling of drive.
- Step 3:

Re-tighten mounting screw to fasten pump head and connecting board. Ensure the tightness of two tightening screws is same when fastening screws, and should not be too tight; in order to prevent noise due to deformed housing.



Note: Pump need be shut off when changing pump head.