

FOR REFERENCE ONLY

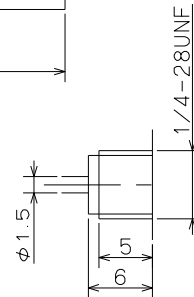
SHAPE MEMORY ALLOY VALVE

SPECIFICATIONS for MODEL SMV-2X-2MFFX-3

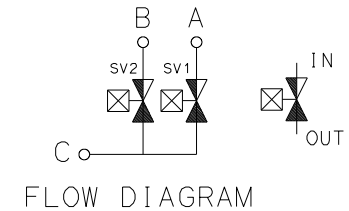
ORIFICE DIAMETER : 0.8mm
 PORT CONNECTION : A ~ C 1/4-28UNF
 OPERATING PRESSURE RANGE : A ~ B 0 ~ 100kPa (0 ~ 1bar)
 C 0 ~ 50kPa (0 ~ 0.5bar)
 FLUID MEDIA : FLUIDS CHEMICALLY COMPATIBLE WITH MATERIALS BELOW
 MEDIA TEMPERATURE RANGE : 5 ~ 40°C
 AMBIENT TEMPERATURE RANGE : 5 ~ 40°C
 CURRENT : 250mA×2
 ELECTRIC RESISTANCE : 3Ω±10%(AT 20°C)
 POWER CONSUMPTION : Max. 0.25W×2

NOTE :

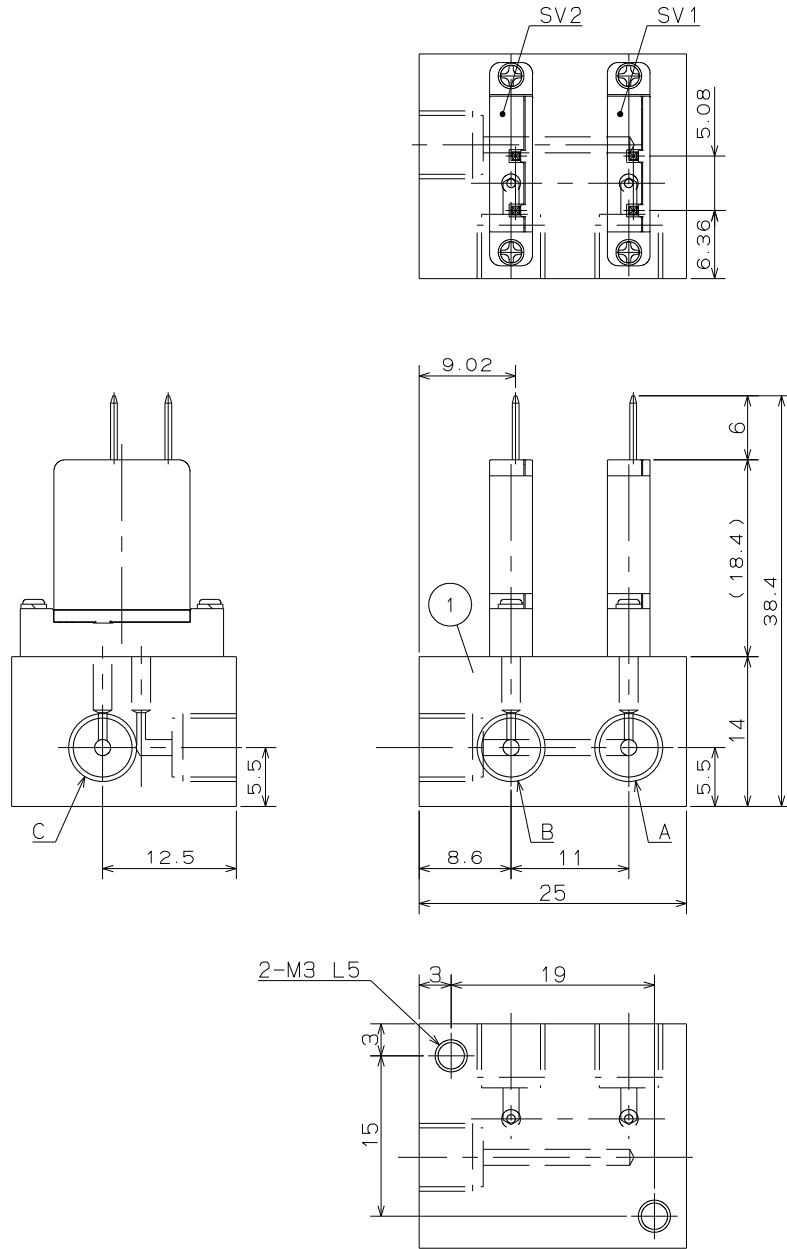
| MODEL NUMBER | BODY, MANIFOLD | DIAPHRAGM, O RING |
|---------------|----------------|-------------------|
| SMV-2R-2MFF-3 | PPS | FKM |
| SMV-2K-2MFG-3 | PEEK | FFKM |



PORT DETAILS



FLOW DIAGRAM



WETTED MATERIALS

| | | | | | | | |
|----------|----------|-------------|--------------------------|-----------|------------|-------|----------------------------|
| △ | | | 4 | DIAPHRAGM | FKM/FFKM | 2 | SMV-2R-BMFF SMV-2K-BMFG |
| △ | | | 3 | BODY | PPS/PEEK | 2 | SMV-2R-BMFF SMV-2K-BMFG |
| △ | | | 2 | O RING | FKM/FFKM | 4 | SMV-2R-BMFF SMV-2K-BMFG |
| SYM. | DATE | DESCRIPTION | 1 | MANIFOLD | PPS/PEEK | 1 | |
| REVISION | | | PART NO. | PART NAME | MATERIAL | REQD. | NOTE |
| SCALE | APPROVED | CHECKED | SHAPE MEMORY ALLOY VALVE | | DRAWING NO | | |
| 2/1 | | K. Asai | SMV-2X-2MFX-3 | | 22134-00-E | | |
| A 3 | | K. Hayashi | | | | | |