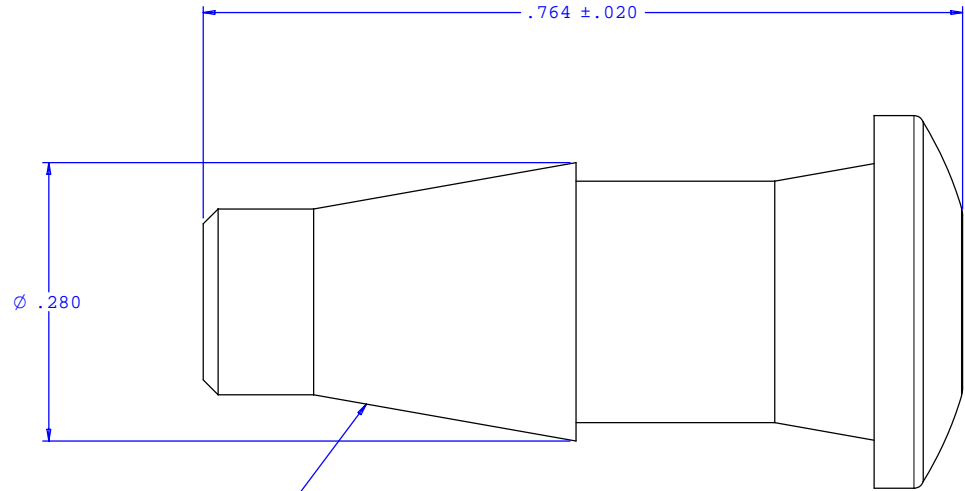
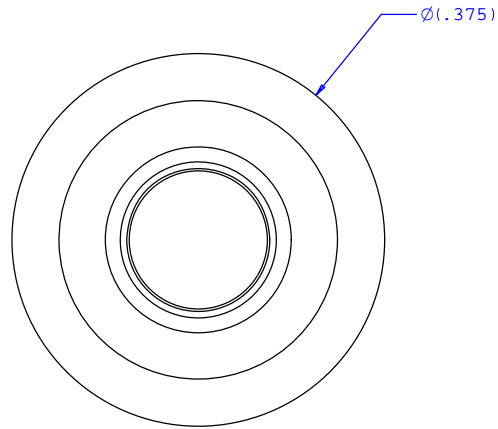
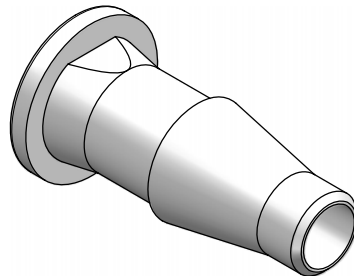


NOTE: FOR MORE DETAILS SEE YOUR V.P.CUSTOMER SERVICE REP.

REVISIONS			
REV.	DESCRIPTION	DATE	APPROVED
A	INITIAL RELEASE	02-13-97	
B	CO 039 Drafting Update	05-08-06	Rick C.



INSTRUMENT QUALITY PART. NO PARTING LINE PERMITTED ON THIS CONICAL SURFACE



UNLESS OTHERWISE SPECIFIED DIMENSIONS ARE IN INCHES TOLERANCES ARE:		VALUE PLASTICS, INC.	
FRACTIONS ±	DECIMALS .XX ±.01 .XXX ±.005 .XXXX ±.001	ANGULAR ±1°	PART NUMBER: PIP50
DO NOT SCALE DRAWING		DESCRIPTION: Press-In Plug with Classic Series Barb, 3/16" (4.75 mm) ID Tubing	
DRAWN BY: Frank Lombardi	DATE: 01-28-06	SIZE: B	SCALE: NTS
ENGINEER/ MANAGER: Rick Cairns	DRAWING NUMBER: 1008196	REV. B	SHEET: 1 OF 1
© 2006 VALUE PLASTICS, INC.			

FOR REFERENCE ONLY