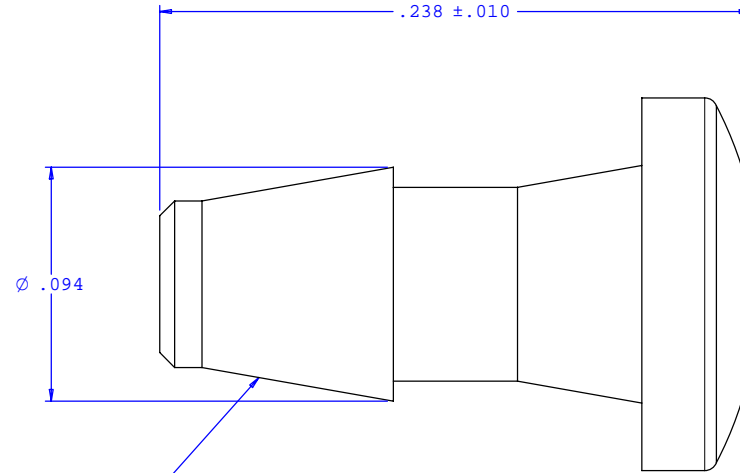
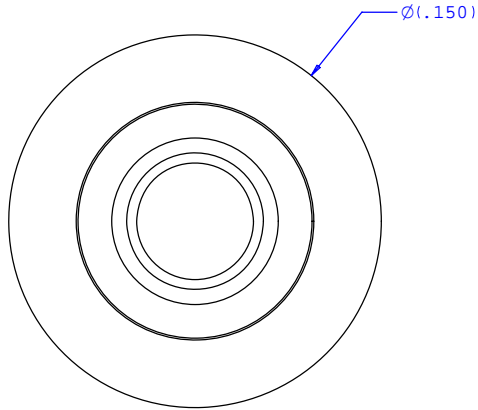
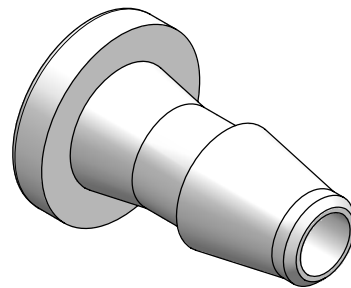


NOTE: FOR MORE DETAILS SEE YOUR V.P. CUSTOMER SERVICE REP.

| REVISIONS |                        |          |          |
|-----------|------------------------|----------|----------|
| REV.      | DESCRIPTION            | DATE     | APPROVED |
| A         | INITIAL RELEASE        | 02-13-97 |          |
| B         | CO 039 Drafting Update | 05-08-06 | Rick C.  |



INSTRUMENT QUALITY PART. NO PARTING LINE PERMITTED ON THIS CONICAL SURFACE



|   |   |  |                            |
|---|---|--|----------------------------|
| UNLESS OTHERWISE SPECIFIED<br>DIMENSIONS ARE IN INCHES<br>TOLERANCES ARE: |   | <b>VALUE PLASTICS, INC.</b>  |                            |
| FRACTIONS<br>±  | DECIMALS<br>.XX ±.01<br>.XXX ±.005<br>.XXXX ±.001 | ANGULAR<br>±1°   | PART NUMBER: <b>PIP210</b> |
| DO NOT SCALE DRAWING  |   | DESCRIPTION: <b>Press-In Plug with 200 Series Barb, 1/16" (1.5 mm) ID Tubing</b> |                            |
| DRAWN BY:<br><b>Frank Lombardi</b>  | DATE:<br><b>01-28-06</b>                          | SIZE:<br><b>B</b>  | SCALE:<br><b>NTS</b>       |
| Engineer/Manager:<br><b>Rick Cairns</b>                                   |   | DRAWING NUMBER:<br><b>1008198</b>  | REV.<br><b>B</b>           |
| © 2006 VALUE PLASTICS, INC.   |   |  | SHEET: <b>1 OF 1</b>       |

**FOR REFERENCE ONLY**