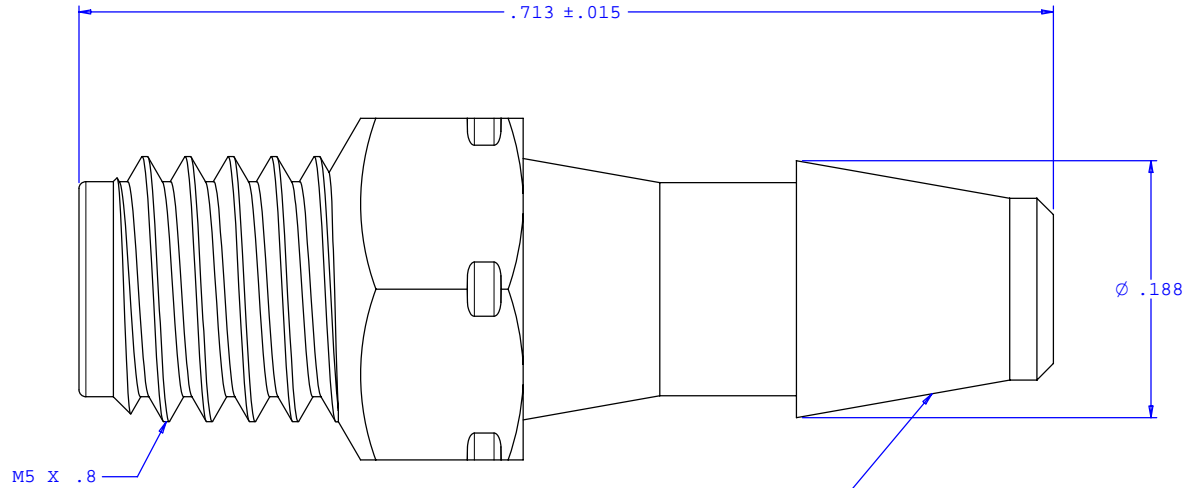
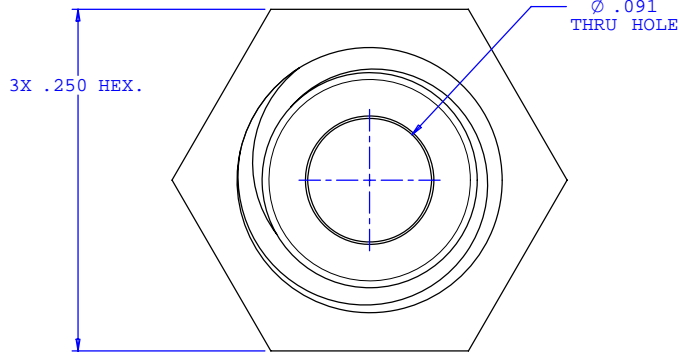
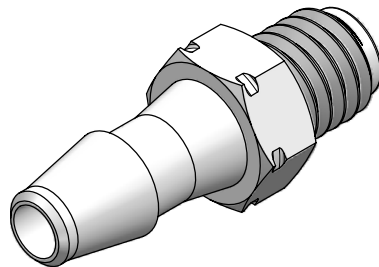


NOTE: FOR MORE DETAILS SEE YOUR V.P.CUSTOMER SERVICE REP.

REVISIONS			
REV.	DESCRIPTION	DATE	APPROVED
A	INITIAL RELEASE	11-05-01	
B	CO 039 Drafting Update	04-12-06	Rick C.



INSTRUMENT QUALITY PART. NO PARTING LINE PERMITTED ON THIS CONICAL SURFACE



UNLESS OTHERWISE SPECIFIED DIMENSIONS ARE IN INCHES TOLERANCES ARE:		<b>VALUE PLASTICS, INC.</b>	
FRACTIONS ±	DECIMALS .XX ±.01 .XXX ±.005 .XXXX ±.001	ANGULAR ±1°	PART NUMBER: <b>M5230</b>
DO NOT SCALE DRAWING		DESCRIPTION: M5x.8 Thread with 1/4" Hex to 200 Series Barb, 1/8" (3 mm) ID Tubing	
DRAWN BY: <b>Frank Lombardi</b>	DATE: <b>12-29-05</b>	SIZE: <b>B</b> SCALE: <b>NTS</b>	DRAWING NUMBER: <b>1008054</b> REV. <b>B</b>
Engineer/Manager: <b>Rick Cairns</b>		© 2005 VALUE PLASTICS, INC. SHEET: 1 OF 1	

**FOR REFERENCE ONLY**