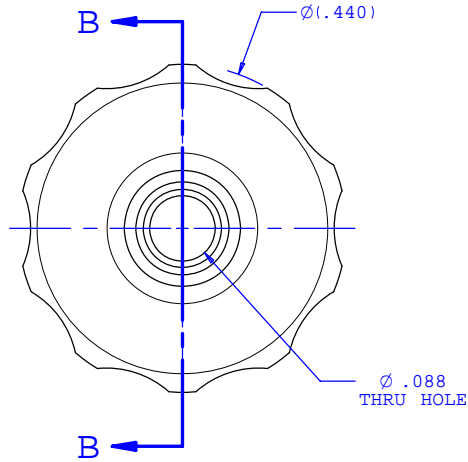
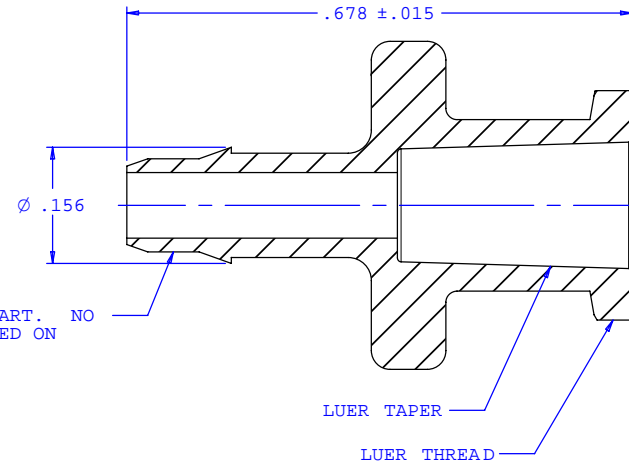


NOTE: FOR MORE DETAILS SEE YOUR V.P. CUSTOMER SERVICE REP.

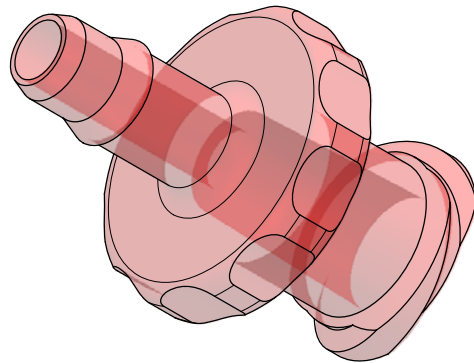
REVISIONS			
REV.	DESCRIPTION	DATE	APPROVED
A	INITIAL RELEASE	02-02-98	
B	CO 013 Drafting Update	05-04-05	Rick C.



INSTRUMENT QUALITY PART.
PARTING LINE PERMITTED ON
THIS CONICAL SURFACE



SECTION B-B



UNLESS OTHERWISE SPECIFIED DIMENSIONS ARE IN INCHES TOLERANCES ARE:		VALUE PLASTICS, INC.	
FRACTIONS ±	DECIMALS .XX ±.01 .XXX ±.005 .XXXX ±.001	ANGULAR ±1°	PART NUMBER: FTLL430
DO NOT SCALE DRAWING		DESCRIPTION: Female Luer Thread Style to 400 Series Barb, 1/8" (3 mm) ID Tubing	
DRAWN BY: Frank Lombardi 4-18-05	DATE:	SIZE: B	SCALE: NTS
Engineer/Manager: Rick Cairns		DRAWING NUMBER: 1005592	REV. B
© 2004 VALUE PLASTICS, INC.		SHEET: 1 OF 1	

FOR REFERENCE ONLY